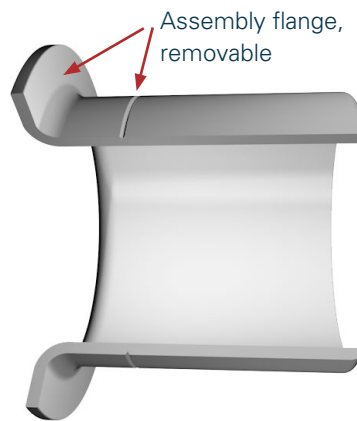
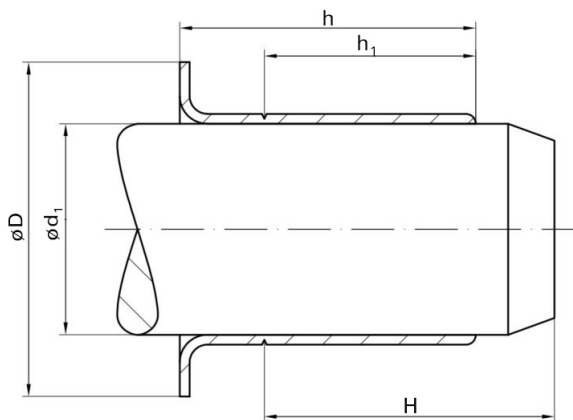


Shaft Repair Sleeves

Metric Sizes



anyseals No.	Alternative Reference	Shaft \varnothing Range		Nominal Shaft \varnothing d_1 [mm]	Flange \varnothing D (± 1.60) [mm]	Width on Shaft h_1 (± 0.80) [mm]	Overall Width h (± 0.80) [mm]	Installation Tool Depth H Max [mm]
		Min [mm]	Max [mm]					
326354	99049	11.91	12.07	12.00	15.50	6.00	8.40	47.60
473654	99050	12.65	12.75	12.70	15.50	6.30	8.70	50.80
473655	99055	13.89	14.00	14.00	19.10	6.30	9.90	46.50
473656	99056	14.22	14.38	14.30	19.10	6.30	9.90	46.50
473657	99059	14.96	15.06	15.00	19.10	5.00	9.00	47.30
473658	99062	15.83	15.93	15.88	19.10	8.00	10.30	50.80
473659	99058	15.90	16.00	16.00	18.20	8.00	11.10	50.80
468582	99068	16.94	17.04	17.00	22.20	8.00	11.00	50.80
473660	99060	17.32	17.42	17.37	22.70	8.00	11.10	50.80
473661	99082	17.88	18.01	17.93	24.40	8.00	11.00	46.00
473662	99076	19.00	19.10	19.05	24.00	8.00	11.10	50.80
473663	99081	19.28	19.33	19.30	23.80	8.00	11.10	50.80
473664	99080	19.81	19.91	19.84	23.80	8.00	11.10	50.80
325287	99078	19.94	20.04	20.00	23.60	8.00	11.00	50.80
473665	99083	20.62	20.70	20.65	30.18	9.53	14.30	76.20
473666	99086	21.77	21.87	21.82	29.30	6.30	9.50	50.80
466068	99084	21.87	22.00	22.00	30.20	6.60	9.10	47.10
325839	99085	21.87	22.00	22.00	30.20	8.00	12.00	46.00
473667	99087	22.18	22.28	22.23	27.80	8.00	11.10	50.80
473668	99091	23.06	23.16	23.11	30.90	8.00	11.10	46.90
373610	99092	23.88	24.00	24.00	28.70	8.00	11.10	50.80
473669	99094	24.54	24.64	24.60	28.70	8.00	11.10	50.80
473670	99096	24.54	24.64	24.60	28.70	15.90	18.30	50.80
319085	99098	24.94	25.04	25.00	33.00	8.00	11.00	50.80
325849	99100	25.35	25.45	25.40	31.00	8.00	11.10	50.80
473671	99103	25.88	26.01	26.01	33.40	8.00	12.00	46.00
473672	99106	26.92	27.03	27.00	33.50	8.00	11.10	46.80
473673	99108	27.61	27.71	27.66	35.70	8.00	11.10	15.90
325840	99111	27.94	28.04	28.00	34.90	9.50	12.70	46.80

Shaft Repair Sleeves

Metric Sizes



anyseals No.	Alternative Reference	Shaft Ø Range		Nominal Shaft Ø d ₁ [mm]	Flange Ø D (± 1.60) [mm]	Width on Shaft h ₁ (± 0.80) [mm]	Overall Width h (± 0.80) [mm]	Installation Tool Depth H Max [mm]
		Min [mm]	Max [mm]					
473674	99112	28.53	28.63	28.58	38.10	8.00	11.10	17.50
473675	99116	28.53	28.63	28.58	38.10	9.50	12.70	17.50
473676	99120	29.31	29.41	29.36	34.30	9.50	12.70	17.50
473677	99122	29.80	29.92	29.85	35.60	8.00	11.10	17.50
319078	99114	29.95	30.07	30.00	35.60	8.00	11.00	17.50
473678	99118	30.10	30.23	30.18	35.60	8.00	11.10	17.50
473679	99123	30.89	31.04	30.96	39.70	8.00	11.00	15.90
473680	99141	31.42	31.58	31.50	39.10	8.00	11.10	17.50
473681	99125	31.67	31.83	31.80	38.10	8.00	11.10	17.50
423742	99128	31.92	32.08	32.00	38.10	8.00	11.10	17.50
473682	99121	32.94	33.05	33.00	40.49	15.01	18.00	20.65
473683	99129	33.22	33.38	33.35	40.60	6.30	9.50	20.70
473684	99131	33.27	33.43	33.35	40.50	12.70	15.90	20.70
473685	99134	33.86	34.01	34.01	41.30	12.70	15.90	20.70
473686	99133	34.82	34.98	34.93	41.60	8.00	11.10	20.70
469785	99138	34.82	34.98	34.93	41.60	12.70	15.90	20.70
319080	99139	34.93	35.08	34.93	41.60	13.00	16.00	20.70
325841	99146	35.84	36.00	36.00	45.20	13.00	17.00	25.00
473687	99143	36.37	36.53	36.53	45.20	14.30	17.50	25.80
473688	99144	36.45	36.60	36.53	45.20	9.50	12.70	25.80
469794	99147	37.85	38.00	38.00	45.20	13.00	17.00	25.00
473689	99149	38.02	38.18	38.10	45.20	14.30	17.50	25.80
326039	99150	38.02	38.18	38.10	45.20	9.50	12.70	25.80
473690	99152	38.61	38.76	38.68	47.20	11.10	14.30	25.80
466151	99155	39.34	39.50	39.42	47.20	11.10	14.30	25.80
327193	99156	39.60	39.75	39.70	47.20	14.30	17.50	25.80
473691	99159	39.78	39.93	39.85	47.20	15.90	19.10	25.80
319993	99153	39.85	40.00	40.00	46.90	9.90	12.90	25.40
325850	99157	39.93	40.08	40.08	47.00	13.00	16.00	26.00
473692	99160	40.69	40.84	40.77	49.20	12.70	16.30	25.40
473693	99163	40.84	41.00	41.00	49.20	12.70	15.90	25.80
473694	99161	41.20	41.35	41.28	47.60	8.00	11.10	25.80
473695	99162	41.20	41.35	41.28	47.60	14.30	17.50	20.70
473696	99166	41.83	42.00	41.90	53.00	11.30	14.50	21.40
325851	99169	41.83	42.00	41.90	53.00	14.30	17.50	21.00
473697	99165	41.99	42.14	42.06	53.00	14.00	17.50	21.00
473699	99168	42.77	42.93	42.88	48.40	14.30	17.50	22.20
473698	99167	42.80	42.95	42.88	48.40	8.00	11.10	22.20
473700	99182	42.85	43.00	43.00	48.40	12.70	15.90	21.30
473701	99171	43.56	43.71	43.66	51.60	14.30	17.50	20.70

Shaft Repair Sleeves

Metric Sizes



anyseals No.	Alternative Reference	Shaft Ø Range		Nominal Shaft Ø d ₁ [mm]	Flange Ø D (± 1.60) [mm]	Width on Shaft h ₁ (± 0.80) [mm]	Overall Width h (± 0.80) [mm]	Installation Tool Depth H Max [mm]
		Min [mm]	Max [mm]					
473702	99170	44.09	44.25	44.17	52.40	9.50	12.70	20.70
473703	99172	44.37	44.53	44.45	52.20	9.50	12.70	20.70
473704	99174	44.37	44.53	44.45	52.40	14.30	17.50	20.70
473705	99175	44.37	44.53	44.45	52.40	19.10	22.20	20.70
473706	99180	44.37	44.53	44.45	52.40	13.50	15.90	22.30
473707	99176	44.73	44.88	44.86	52.40	14.30	17.50	20.70
319082	99177	44.93	45.09	45.00	53.00	14.00	17.00	20.60
473708	99179	45.16	45.31	45.24	54.00	16.90	20.30	27.00
473709	99181	45.95	46.10	46.05	53.10	14.30	17.50	25.40
473710	99185	47.17	47.32	47.22	54.80	14.30	17.50	25.40
473711	99186	47.40	47.55	47.45	55.60	22.60	26.00	25.40
473712	99184	47.55	47.70	47.63	56.00	9.50	13.10	26.60
473713	99187	47.55	47.70	47.63	56.00	14.30	17.50	25.40
473714	99188	47.55	47.70	47.63	56.00	7.50	10.50	18.80
473715	99190	47.55	47.70	47.63	56.00	4.50	7.50	18.80
473716	99189	47.93	48.09	48.03	56.00	14.00	17.00	25.00
473717	99192	48.49	48.64	48.56	56.40	9.50	12.70	25.40
473718	99193	49.12	49.28	49.23	56.40	14.30	17.50	25.40
319081	99196	49.91	50.06	50.00	57.00	14.00	17.00	25.00
473719	99198	50.22	50.37	50.30	58.80	14.30	17.90	26.60
473720	99199	50.72	50.88	50.80	61.10	14.30	17.50	25.40
473721	99200	50.72	50.88	50.80	61.10	22.20	25.40	25.40
473722	99204	51.82	52.00	52.00	62.70	12.70	15.90	34.50
473723	99205	52.25	52.40	52.40	62.70	19.80	23.80	34.90
473724	99210	53.92	54.05	53.98	61.50	12.70	19.10	32.50
473725	99212	53.95	54.10	53.98	61.50	19.80	23.80	34.90
319084	99215	54.91	55.07	55.00	62.00	20.00	23.00	31.80
473726	99218	55.52	55.68	55.58	63.50	19.80	23.80	33.40
473728	99220	55.83	56.00	56.00	64.30	12.70	15.90	33.40
473729	99229	56.57	56.72	56.64	64.30	12.70	15.90	33.40
473730	99230	56.57	56.72	56.64	64.30	19.80	23.00	31.80
473731	99226	56.82	56.97	56.90	65.10	19.40	22.90	31.80
473732	99225	57.12	57.28	57.15	64.30	19.80	23.80	33.40
469793	99227	57.12	57.28	57.15	64.30	8.00	11.10	33.40
473733	99219	57.91	58.06	58.00	65.99	19.84	23.83	34.93
473734	99231	58.65	58.80	58.75	68.30	19.80	23.80	34.90
473735	99233	59.10	59.26	59.13	69.80	19.10	22.20	38.10
319083	99235	59.92	60.07	60.00	70.70	20.00	23.00	37.30
326789	99241	59.92	60.07	60.00	70.70	9.40	11.40	34.90
473736	99236	60.17	60.33	60.33	69.80	19.80	23.80	34.90

Shaft Repair Sleeves

Metric Sizes



anyseals No.	Alternative Reference	Shaft Ø Range		Nominal Shaft Ø d ₁ [mm]	Flange Ø D (± 1.60) [mm]	Width on Shaft h ₁ (± 0.80) [mm]	Overall Width h (± 0.80) [mm]	Installation Tool Depth H Max [mm]
		Min [mm]	Max [mm]					
473737	99238	60.25	60.40	60.33	69.80	15.10	19.10	34.90
473736	99237	60.30	60.45	60.33	69.80	19.80	23.80	34.90
473738	99240	60.30	60.45	60.33	69.80	13.40	17.40	34.90
473740	99243	61.82	61.98	61.92	71.80	19.80	23.80	35.40
330641	99244	61.82	62.00	62.00	71.80	12.70	15.90	36.10
473739	99242	61.85	62.00	61.93	71.80	12.70	15.90	36.10
473741	99249	63.22	63.37	63.30	73.00	19.80	23.80	35.40
473744	99253	63.42	63.58	63.50	71.60	14.10	16.50	22.60
473742	99248	63.50	63.65	63.50	71.80	12.70	16.70	35.40
473743	99250	63.50	63.65	63.50	71.60	19.80	23.80	34.90
473745	99251	63.75	63.91	63.91	71.80	19.80	23.00	36.50
325170	99254	64.92	65.08	65.00	72.40	20.00	23.00	34.90
473746	99256	65.02	65.18	65.10	73.40	19.80	23.80	34.90
473747	99259	65.91	66.07	66.00	76.00	19.80	23.80	31.80
473748	99261	66.49	66.65	66.57	77.40	19.80	23.80	34.90
473751	99264	66.57	66.73	66.68	77.40	19.80	23.00	34.90
473749	99260	66.60	66.75	66.68	77.40	12.70	15.90	34.90
473750	99262	66.68	66.83	66.68	77.40	19.80	23.80	34.90
473752	99266	67.82	68.00	68.00	79.40	19.10	22.20	42.90
473753	99268	69.27	69.42	69.34	79.40	19.80	23.00	33.40
473754	99273	69.60	69.75	69.67	77.80	19.80	23.80	31.80
473755	99267	69.77	69.93	69.85	78.10	36.50	41.30	41.30
473756	99270	69.77	69.93	69.85	79.40	19.80	23.80	31.80
424226	99269	69.85	70.00	69.85	79.40	28.60	31.80	33.30
325852	99272	69.85	70.00	69.85	79.40	10.30	14.30	31.80
325842	99276	69.93	70.08	70.00	79.40	20.00	24.00	31.80
473757	99281	71.35	71.50	71.45	81.00	15.10	17.50	31.80
424022	99284	71.83	72.00	72.00	81.90	19.10	22.20	34.10
473758	99282	72.09	72.24	72.09	81.90	12.70	16.70	31.80
473759	99286	72.80	72.95	72.87	81.00	19.80	23.80	31.80
473760	99287	72.97	73.13	73.03	81.80	19.80	23.80	31.80
473761	99290	74.60	74.75	74.63	84.90	12.70	16.30	33.80
473762	99293	74.60	74.75	74.63	84.90	19.80	23.80	33.40
424277	99289	74.93	75.08	75.00	83.10	15.10	17.50	27.50
325843	99294	74.93	75.08	75.00	84.00	22.00	26.00	33.40
473763	99292	75.49	75.59	75.54	82.20	20.60	25.40	31.80
473764	99291	75.95	76.10	76.02	85.30	12.30	15.90	33.80
473765	99298	75.95	76.10	76.02	85.30	14.30	17.50	34.90
473766	99299	75.95	76.10	76.02	85.10	20.60	25.40	32.50
473767	99296	76.12	76.28	76.20	82.30	20.60	23.80	34.90

Shaft Repair Sleeves

Metric Sizes



anyseals No.	Alternative Reference	Shaft Ø Range		Nominal Shaft Ø d ₁ [mm]	Flange Ø D (± 1.60) [mm]	Width on Shaft h ₁ (± 0.80) [mm]	Overall Width h (± 0.80) [mm]	Installation Tool Depth H Max [mm]
		Min [mm]	Max [mm]					
473768	99300	76.20	76.35	76.20	82.20	20.60	25.40	32.50
473769	99303	76.20	76.35	76.20	85.00	15.90	20.60	32.50
473770	99301	76.40	76.56	76.48	85.20	12.70	15.90	50.80
473771	99306	77.83	78.00	78.00	88.00	19.10	22.20	52.20
473773	99311	79.25	79.40	79.38	89.70	17.50	20.60	50.80
473774	99312	79.25	79.40	79.38	89.70	20.60	25.40	50.80
473772	99307	79.35	79.55	79.38	89.50	14.00	18.00	51.60
473775	99313	79.81	80.01	79.91	89.90	19.10	22.50	34.90
320489	99315	79.91	80.09	80.00	90.00	21.00	24.00	34.90
320294	99317	79.91	80.09	80.00	90.00	11.00	15.00	34.90
473776	99328	81.92	82.07	82.00	91.10	16.80	21.50	44.50
473777	99322	82.47	82.63	82.55	91.30	20.60	25.40	34.90
473778	99324	82.55	82.70	82.55	90.80	15.10	18.30	34.90
473779	99325	82.55	82.70	82.55	91.10	20.60	25.40	34.90
473780	99326	82.55	82.70	82.55	91.10	17.50	22.20	31.80
473781	99331	84.00	84.15	84.07	93.70	20.60	25.40	34.90
473782	99332	84.76	85.01	84.89	94.00	17.00	21.00	35.00
325853	99333	84.76	85.01	84.89	94.00	21.00	25.00	35.00
473783	99334	84.79	85.00	85.00	90.90	10.10	12.70	36.30
473784	99337	85.67	85.83	85.73	93.80	20.60	25.40	34.90
473785	99338	85.67	85.83	85.73	93.70	9.50	12.70	35.80
473786	99339	87.25	87.41	87.33	97.60	19.80	23.00	35.70
473787	99340	88.31	88.47	88.39	97.40	19.80	23.00	35.70
473788	99346	88.82	88.98	88.90	97.60	15.90	20.60	34.20
473789	99347	88.90	89.06	88.90	97.20	8.00	12.70	34.20
473790	99350	88.90	89.06	88.90	97.60	20.60	25.40	34.20
473791	99349	88.92	89.08	89.00	97.60	15.90	20.60	34.20
327553	99351	89.91	90.07	90.00	101.60	18.00	23.00	46.00
473792	99352	89.91	90.07	90.00	101.60	11.10	13.70	46.00
473793	99353	89.91	90.07	90.00	101.60	13.40	16.90	44.50
319079	99354	89.91	90.07	90.00	101.60	23.00	28.00	44.50
473794	99356	90.42	90.58	90.50	99.10	20.60	25.40	44.50
473795	99360	91.90	92.05	91.97	102.40	20.60	25.40	44.50
473796	99362	92.02	92.18	92.08	102.40	20.60	25.40	44.50
473797	99363	92.02	92.18	92.10	102.24	12.70	15.87	44.45
473799	99368	93.57	93.73	93.68	102.40	8.00	11.10	22.20
473798	99365	93.60	93.76	93.68	102.20	20.60	23.80	45.70
473800	99359	94.66	94.82	94.74	102.40	11.90	15.10	45.70
473801	99366	94.66	94.82	94.74	102.20	19.80	23.00	45.70
325844	99369	94.92	95.08	95.00	102.20	21.00	24.00	45.70

Shaft Repair Sleeves

Metric Sizes



anyseals No.	Alternative Reference	Shaft Ø Range		Nominal Shaft Ø d ₁ [mm]	Flange Ø D (± 1.60) [mm]	Width on Shaft h ₁ (± 0.80) [mm]	Overall Width h (± 0.80) [mm]	Installation Tool Depth H Max [mm]
		Min [mm]	Max [mm]					
469831	99364	95.00	95.15	95.00	102.50	11.90	15.10	45.70
473802	99374	95.00	95.15	95.00	102.40	8.70	12.70	45.70
473828	99490	95.00	95.15	125.00	137.20	10.00	14.00	36.50
473803	99376	95.15	95.30	95.25	102.20	14.30	17.50	45.70
473804	99367	95.25	95.41	95.25	102.20	8.70	12.70	45.70
473805	99372	95.25	95.41	95.25	102.10	17.50	22.20	45.70
473806	99386	98.24	98.40	98.32	106.30	20.65	25.40	47.63
473807	99387	98.37	98.43	98.43	107.20	20.60	25.40	47.60
325845	99393	99.95	100.11	100.00	109.50	20.60	25.40	52.00
473808	99395	101.55	101.75	101.60	111.10	15.20	18.40	52.00
327383	99399	101.55	101.75	101.60	111.10	20.60	25.40	52.00
473809	99400	101.55	101.75	101.60	111.10	16.50	19.70	34.90
473810	99401	101.55	101.75	101.60	111.10	12.70	15.90	52.50
473811	99409	103.89	104.09	104.00	112.70	20.00	24.00	36.00
473812	99412	104.70	104.90	104.78	113.50	20.60	25.40	34.90
325846	99413	104.90	105.10	105.00	113.50	20.00	23.20	35.00
473813	99418	106.25	106.45	106.38	114.30	20.60	25.40	34.90
473814	99423	107.34	107.54	107.54	117.10	19.80	23.00	36.50
473815	99424	107.90	108.10	107.95	117.10	20.60	25.40	36.50
473816	99434	109.78	110.00	110.00	125.00	11.40	15.00	32.90
468562	99435	109.91	110.11	109.93	125.00	12.90	16.50	32.00
473817	99437	111.00	111.20	111.13	120.70	20.60	25.40	42.00
473818	99438	111.80	112.00	111.91	120.70	19.10	22.50	33.00
473819	99439	112.63	112.83	112.73	122.20	25.40	29.00	33.40
473820	99450	114.20	114.40	114.30	124.50	20.60	25.40	32.00
325847	99452	114.89	115.09	115.00	127.00	20.60	23.80	32.00
473821	99463	117.38	117.58	117.50	128.60	25.40	31.80	34.90
473822	99465	117.38	117.58	117.50	127.00	11.10	15.90	34.90
473823	99468	119.00	119.20	119.08	128.60	20.60	25.40	34.90
473824	99471	119.89	120.09	120.00	129.80	8.00	11.00	33.60
327396	99473	119.89	120.09	120.00	129.80	20.00	25.00	32.00
408162	99475	120.55	120.75	120.65	127.00	12.70	19.10	38.10
473825	99472	121.90	122.10	122.00	131.50	20.00	24.00	32.00
473826	99484	122.91	123.11	123.00	132.80	20.00	25.00	31.60
473827	99487	123.73	123.93	123.83	133.30	15.90	19.10	36.50
473829	99492	124.89	125.10	125.00	137.20	26.00	32.00	36.50
473830	99498	126.95	127.15	127.00	137.20	17.50	22.20	36.50
473831	99499	126.95	127.15	127.00	136.90	20.60	25.40	36.50
473832	99501	126.95	127.15	127.00	137.20	13.70	17.30	36.50
473833	99494	129.79	130.00	129.90	139.50	19.10	23.80	30.00

Shaft Repair Sleeves

Metric Sizes



anyseals No.	Alternative Reference	Shaft Ø Range		Nominal Shaft Ø d ₁	Flange Ø D	Width on Shaft h ₁	Overall Width h	Installation Tool Depth H
		Min [mm]	Max [mm]					
473834	99491	129.97	130.18	130.18	139.50	22.00	25.30	32.50
473835	99513	130.05	130.25	130.18	139.70	20.60	25.40	31.80
473836	99525	133.25	133.45	133.35	141.20	20.60	25.40	31.80
473837	99533	134.80	135.00	134.95	145.70	20.50	25.40	31.80
473838	99537	136.43	136.63	136.53	149.20	20.60	25.40	31.80
473839	99548	138.03	138.23	138.13	146.10	38.10	49.90	47.60
473840	99547	138.99	139.19	139.09	149.90	14.30	19.10	31.30
473841	99549	139.65	139.85	139.70	150.80	20.60	25.40	31.80
473842	99550	139.65	139.85	139.70	150.80	13.20	17.90	31.80
473843	99552	139.90	140.11	140.00	151.00	20.50	25.40	31.80
473844	99560	142.77	142.98	142.88	157.18	22.23	25.40	46.02
473845	99571	144.75	145.00	145.00	154.90	19.10	22.20	46.00
473846	99562	145.44	145.64	145.64	154.90	14.30	19.10	49.20
473847	99575	145.95	146.15	146.05	157.00	20.60	25.40	44.50
473848	99587	149.13	149.33	149.23	157.20	25.40	31.80	33.40
325848	99595	149.75	150.01	150.00	159.00	26.00	30.00	32.50
473849	99596	150.73	150.93	150.83	161.90	25.40	28.60	47.60
473850	99599	152.27	152.47	152.40	161.90	25.40	31.80	44.50
473851	99601	152.27	152.47	152.40	161.50	12.70	19.10	44.50
473852	99605	153.87	154.13	154.00	161.90	26.00	30.00	33.00
473853	99606	154.75	155.00	154.86	167.00	26.00	30.00	33.00
473854	99620	157.43	157.69	157.56	168.30	20.60	27.00	44.50
473855	99625	158.62	158.88	158.75	168.30	26.20	31.80	44.50
473856	99630	159.74	160.00	160.00	171.40	25.40	31.80	35.00
473857	99650	164.97	165.23	165.10	177.80	25.40	31.80	35.00
319638	99640	169.75	170.00	169.88	182.60	31.80	38.00	44.50
473858	99675	171.32	171.58	171.45	181.00	20.60	27.00	44.50
473859	99687	174.75	175.01	175.01	187.00	28.00	32.00	35.00
473860	99700	177.67	177.93	177.80	189.90	25.40	31.80	42.80
325854	99721	179.75	180.01	180.01	190.50	33.00	38.00	44.50
473861	99725	183.99	184.25	184.15	197.10	31.80	38.10	55.20
473862	99726	184.74	185.00	184.86	197.10	32.00	38.00	55.20
473863	99745	189.08	189.33	189.31	199.60	20.60	25.40	31.80
473864	99750	190.37	190.63	190.50	200.00	20.60	25.40	31.80
473865	99775	196.72	196.98	196.85	210.10	25.40	33.40	47.60
441178	99787	199.87	200.13	200.03	212.70	34.50	38.10	44.50
473866	99799	201.50	201.75	201.63	212.70	25.40	31.80	44.50
473867	99800	203.07	203.33	203.20	212.70	25.40	31.80	44.50